



SHOJI-NUMA

PARTITION SYSTEMS



NUMA



SHOJI

is a door, window or room divider used in traditional Japanese architecture (1123-1333), consisting of translucent (or transparent) sheets on a lattice frame



ZERO

All renderings are recreated using SHOJI sections to give an accurate representation to scale.



ZERO

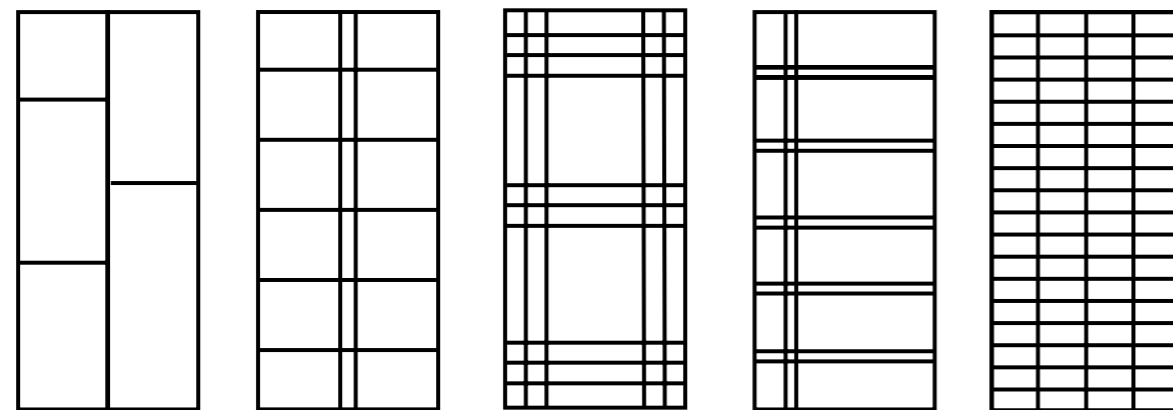
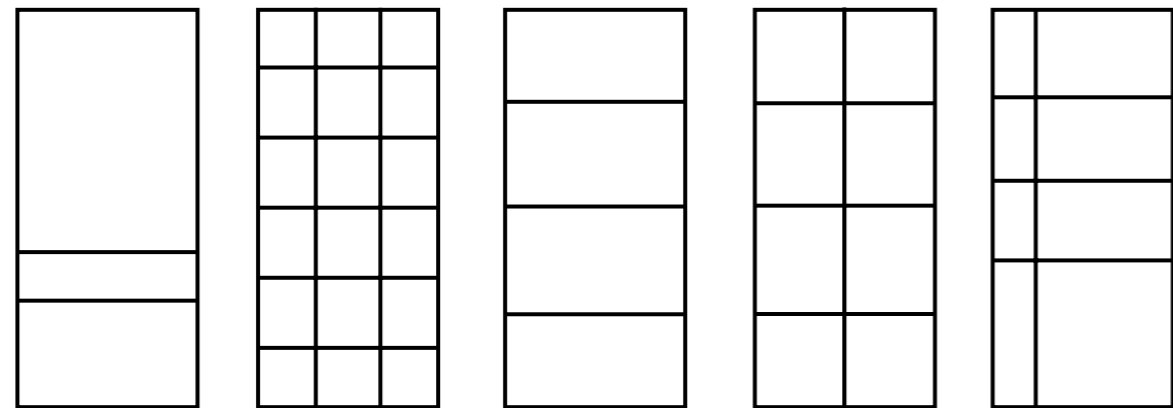
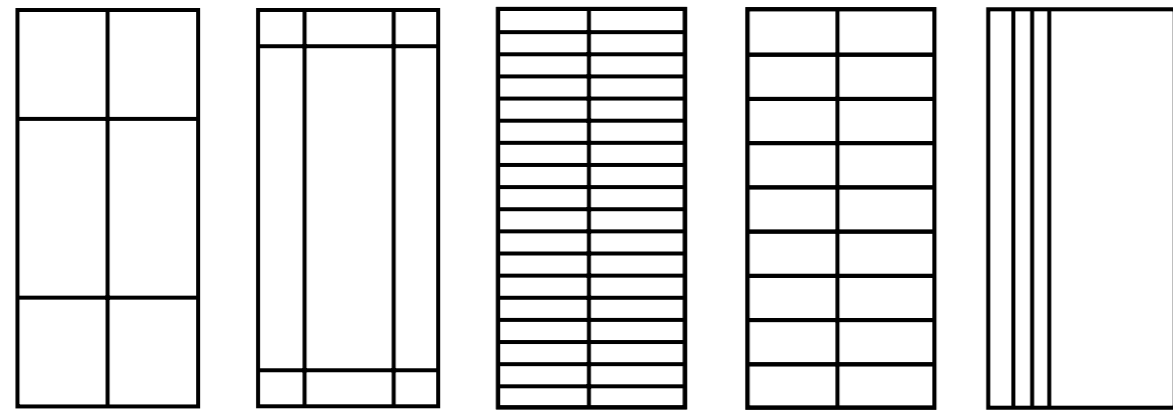
silhouette of transparency

Zero features a slim edge frame encompassing the glass, giving at once form, definition and elegant sophistication.



GRIDS

All renderings are recreated using SHOJI sections to give an accurate representation to scale.



GRIDS

a play of intersections

GRIDS offers stunning possibilities thanks to the combination of key elements



STEM

All renderings are recreated using SHOJI sections to give an accurate representation to scale.



STEM

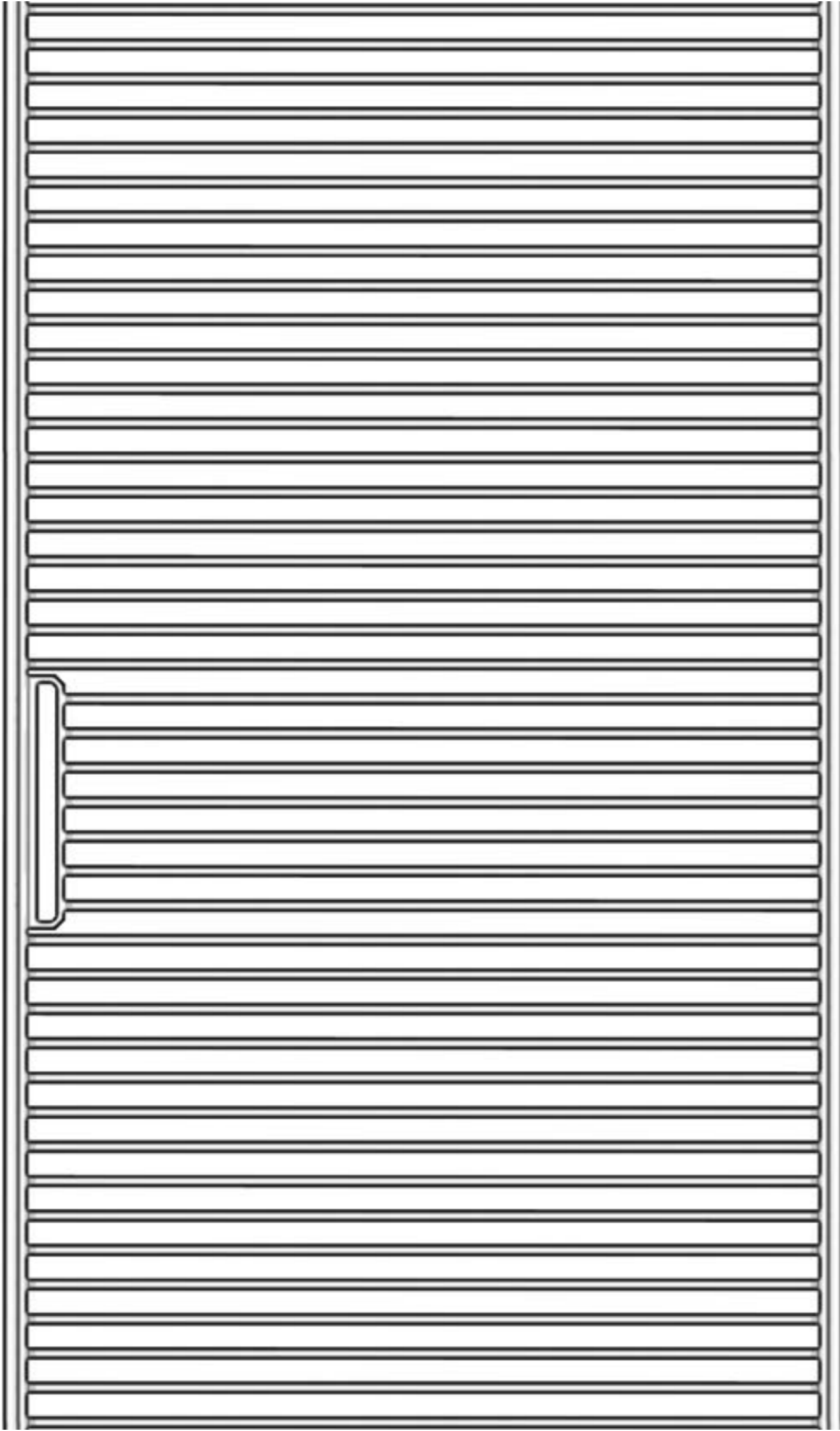
Revealing the soul of a space

STEM derives from Japanese heritage, imbued with intricate woodcrafting details for a partition that is equal parts discerning and stunning.



LIGNE

All renderings are recreated using SHOJI sections to give an accurate representation to scale.



LIGNE

The triumph of the pristine

Characterized by rows of elegant horizontal divisions, LIGNE creates intimate spaces with a modern flair.



QUADRA

All renderings are recreated using SHOJI sections to give an accurate representation to scale.

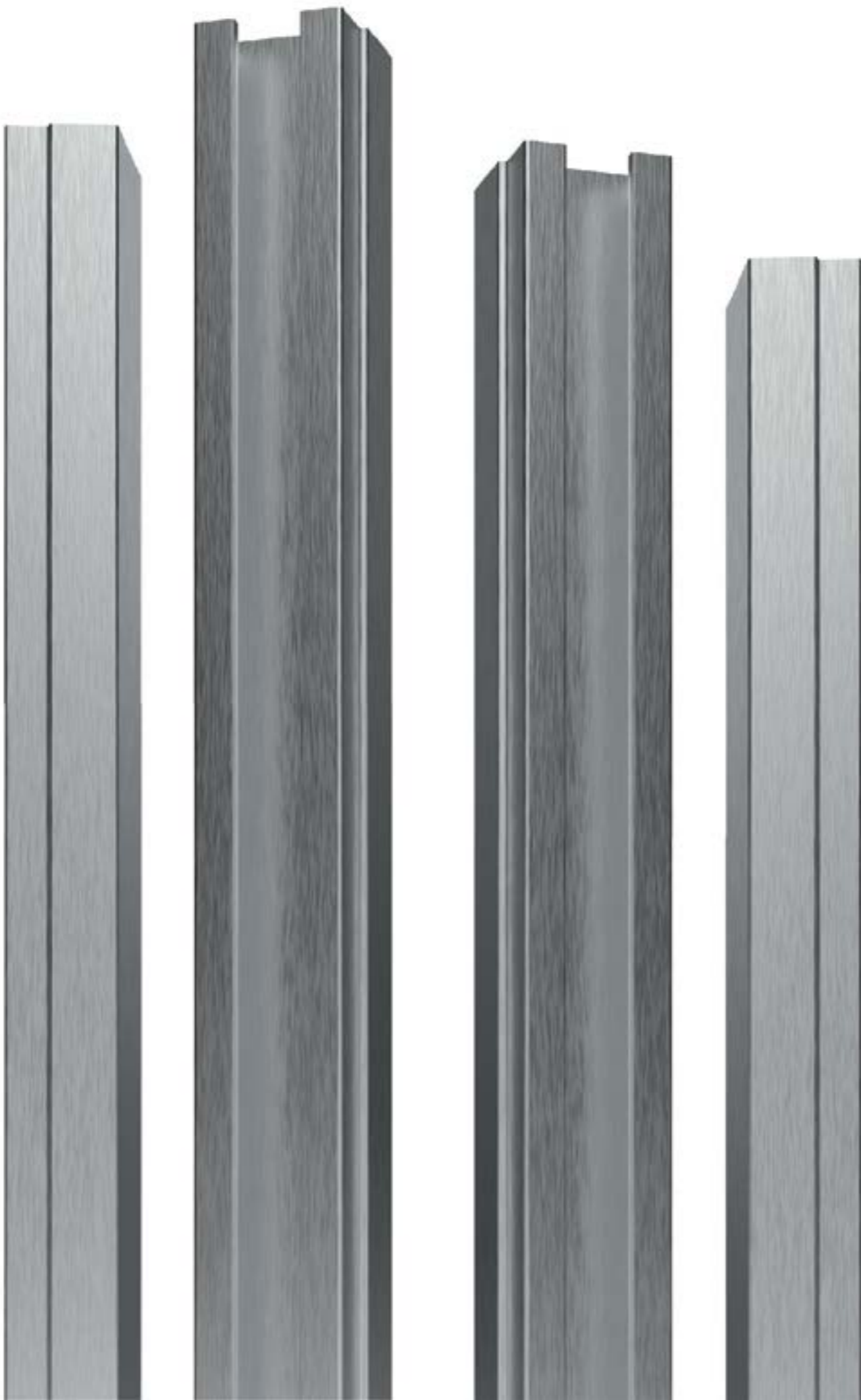


QUADRA

The shared experience of
geometry

Square tessellations, reminiscent of plaids and gingham, lends itself to
a bold partition style with QUADRA.

MATERIALS



ALUMINIUM

SHOJI is constructed from virgin raw materials and high-strength alloys for an exquisite and consistent surface finish.

GLASS

For custom specifications of glass, please arrange for a physical sample for verification. SHOJI-NUMA can accommodate upto 12mm thick glass.



CLEAR



CLEAR LIGHT-GREY
TINT (UK)



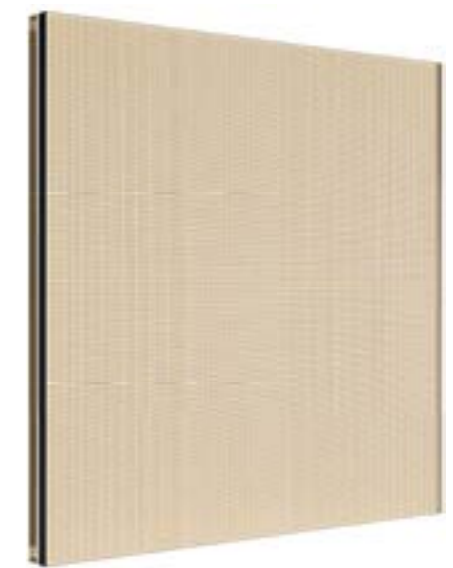
LIGHT-BRONZE
TINT (UK)



FLUTED



BRONZE
MESH



GOLD
MESH

All glasses are tempered, unless explicitly mentioned on the order confirmation. Images are for reference; actual colors will vary; please confirm in reference to physical sample only.

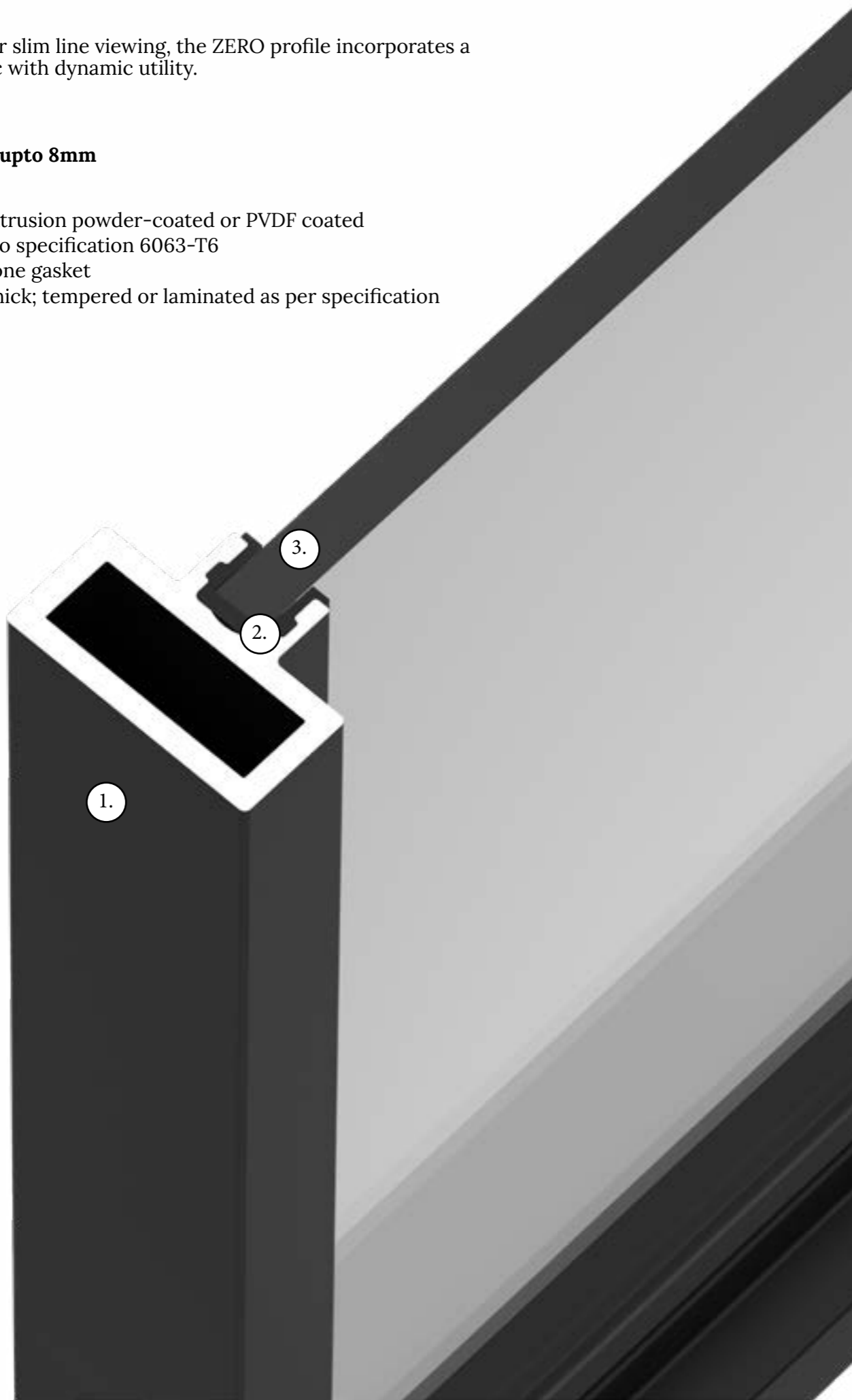
ANATOMY

FOR ZERO PROFILE WITHOUT LOCK

Architected for slim line viewing, the ZERO profile incorporates a narrow aesthetic with dynamic utility.

Glass thickness upto 8mm

1. Aluminum extrusion powder-coated or PVDF coated conforming to specification 6063-T6
2. Flexible silicone gasket
3. Glass 8mm thick; tempered or laminated as per specification

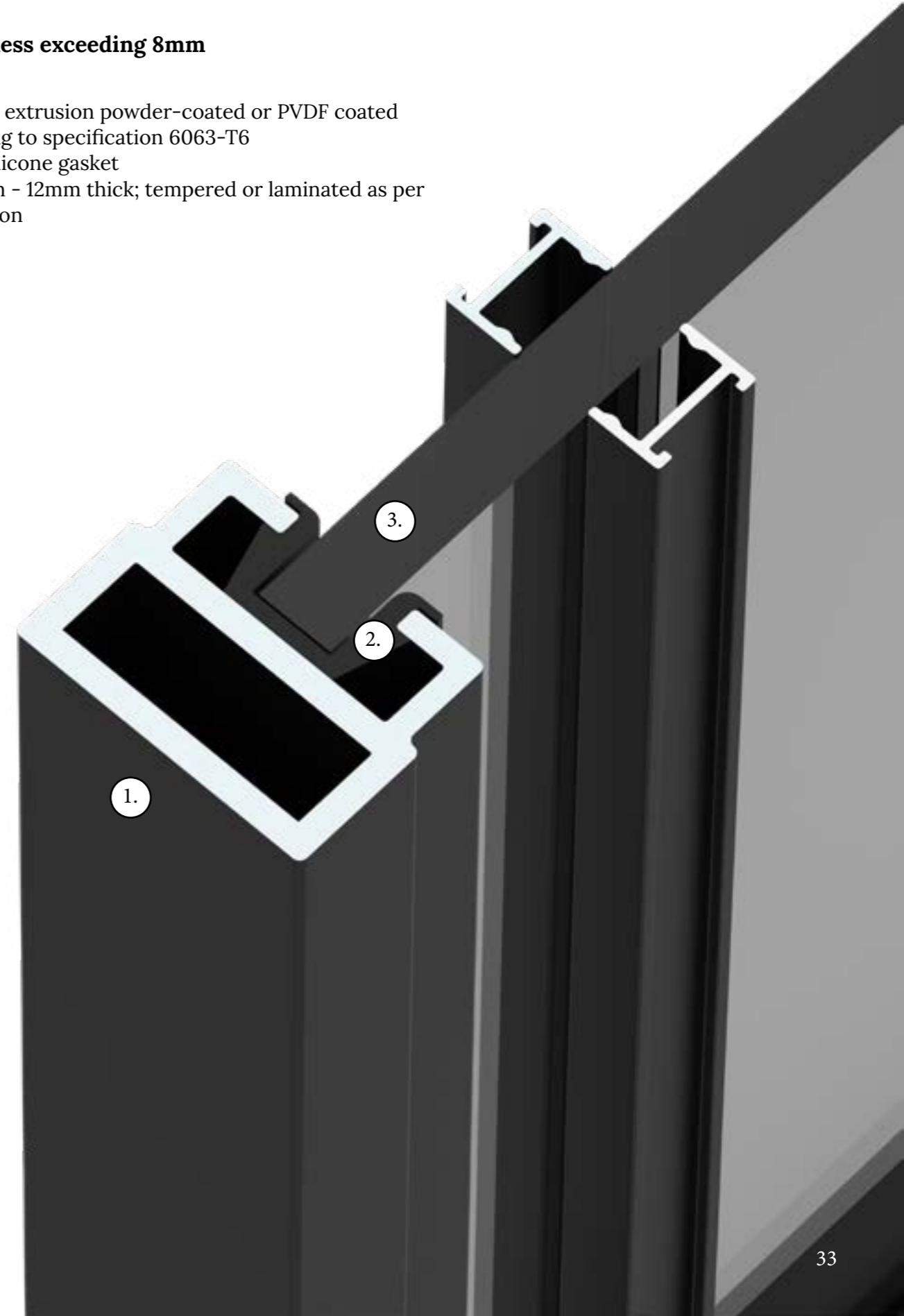


FOR GRIDS, STEM, LIGNE, QUADRA & ZERO WITH LOCK

Profiles are characterised by elegant curves, solid aluminum construction and detailing with provisions for thick glass, rolling, hinge and locking mechanisms.

Glass thickness exceeding 8mm

1. Aluminum extrusion powder-coated or PVDF coated conforming to specification 6063-T6
2. Flexible silicone gasket
3. Glass 8mm - 12mm thick; tempered or laminated as per specification



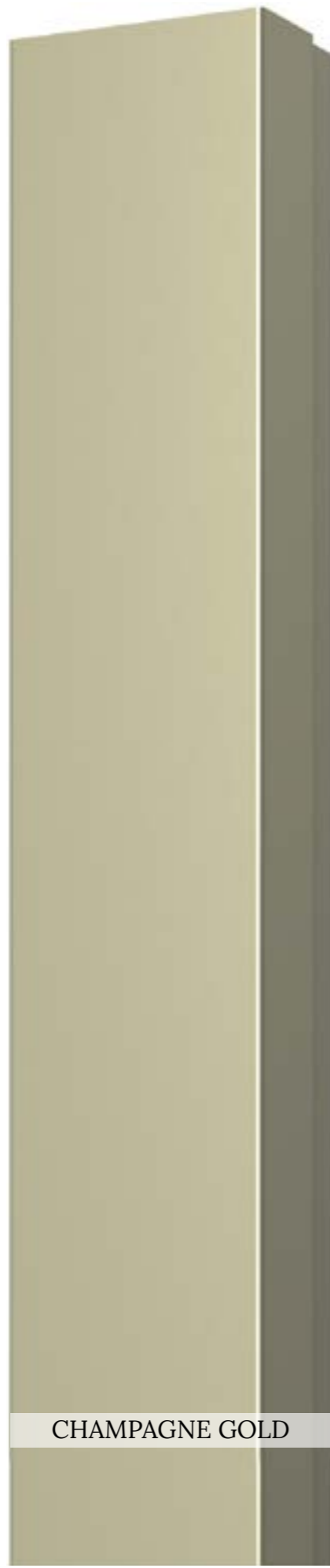
FEATURES

FRAMES

Images are for reference; actual colors will vary; please confirm in reference to physical sample only.



MATT BLACK



CHAMPAGNE GOLD



ROSE GOLD



CHARCOAL GREY



WALNUT RED WOOD



WALNUT BROWN WOOD

Available in a palette of 8 luxurious finishes, SHOJI can complement or contrast with your decor, creating a tailored solution with excellence. Custom colors available on request, subject to quantities and availability.



INSERTS

Juxtaposition, an interplay of two contrasting elements. Choose from an array of materials and treatments to create a stunning composition.



ROSE GOLD HAIRLINE



BRONZE HAIRLINE



CROSS HAIRLINE GOLD



STEEL HAIRLINE



ANTIQUE HAIRLINE



BRASS HAIRLINE



TECHNICAL DETAILS

◀ | SLIDE | ▶

SINGLE | SYNCHRO | TELESCOPING | SLIDING FOLDING

SWING

FLOOR SPRING | CONCEALED HINGES

PIVOT

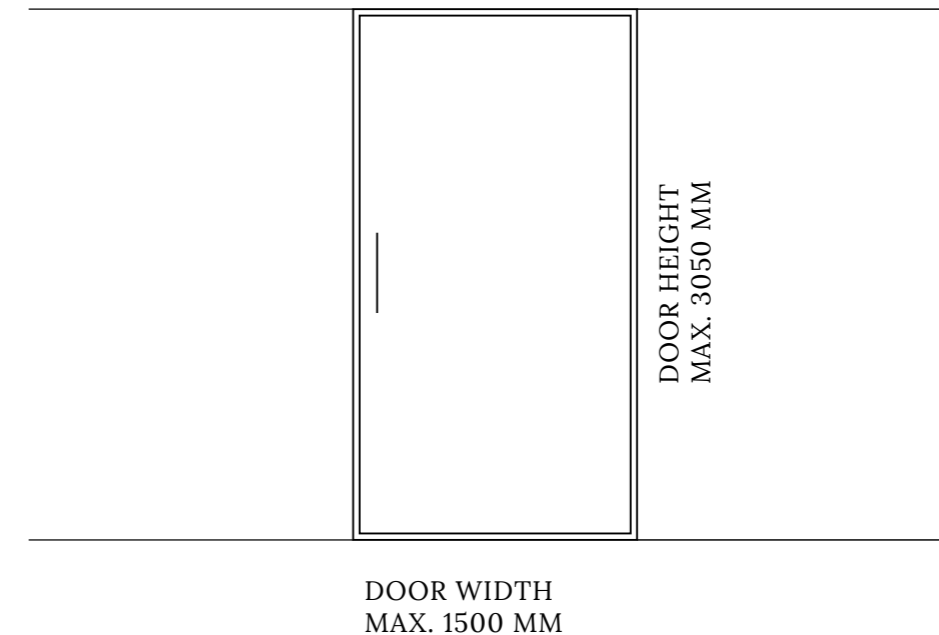
CENTER | OFF SET

DOOR STYLE

◀ | SLIDE | ▶

SINGLE | SYNCHRO | TELESCOPING | SLIDING FOLDING

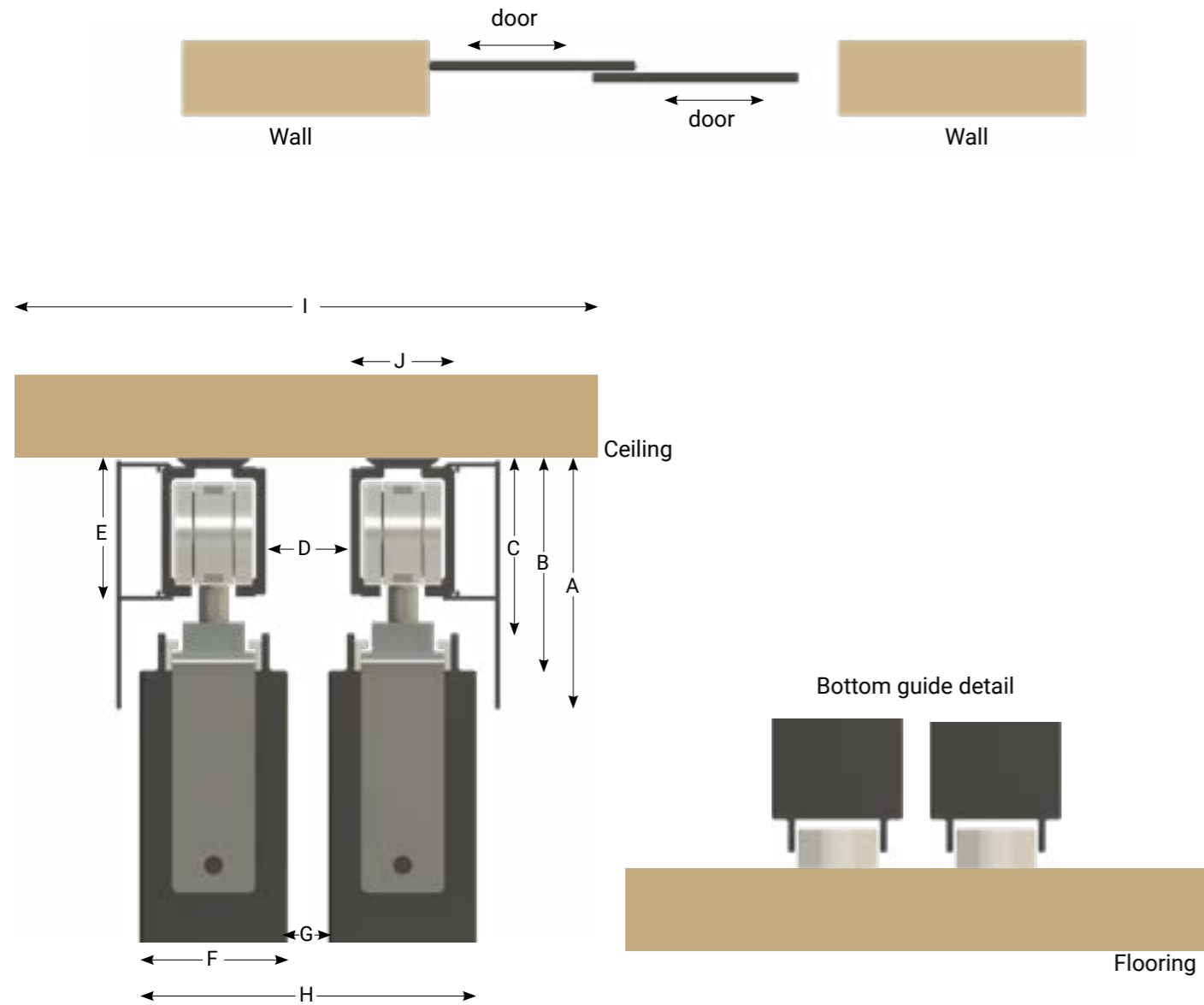
SHOJI-NUMA incorporates tracks and rollers from MANTION, France equipped with a ball joint that improves the robustness of the system and adjusts to any mounting location defects with advanced hydraulic damper systems for soft-close.



For heights longer than 3050mm and upto 3660mm, available on special request, cost and leadtimes. SHOJI-NUMA panels are made to order according to site requirements for height, width, number of door panels and sliding mechanism to be used.

Onsite conditions may be a determinant to the maximum allowable sizes.

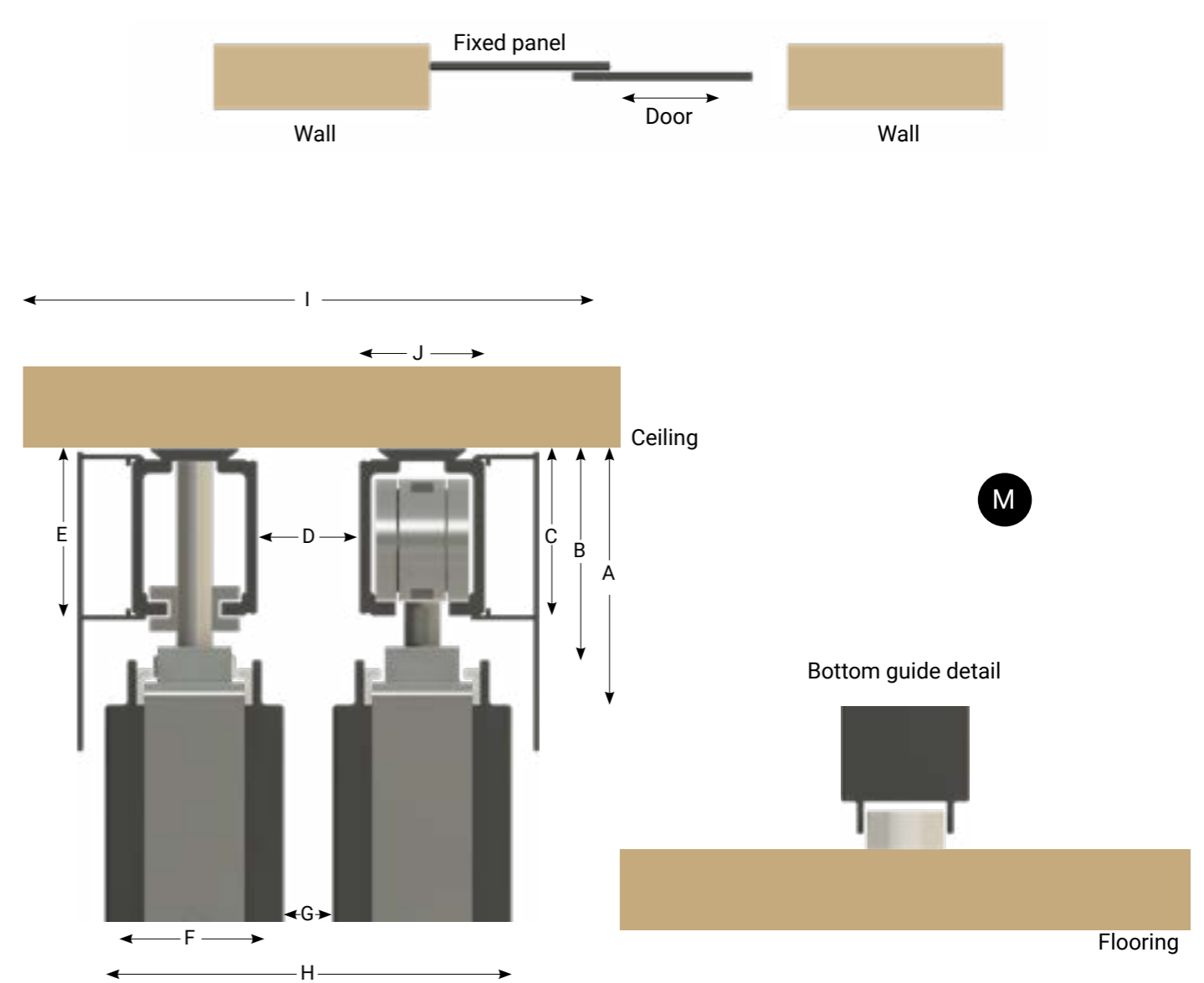
DUAL-DOOR
BYPASS SLIDING: 80-150 KG PANEL



All dimensions are in mm

	80 KG ^M	120 KG ^M	150 KG
A	pelmet length	custom-63	custom-70
B	level for conceal in absence of pelmet	50	57
C	distance between ceiling and top of door panel	43	50
D	distance between track and wall	12	5
E	channel height	33	39
F	door panel profile width	40	40
G	gap between for door and wall	5	5
H	total width between walls	50	50
I	total width for 1 door with pelmet	custom	custom
J	channel width	27	39

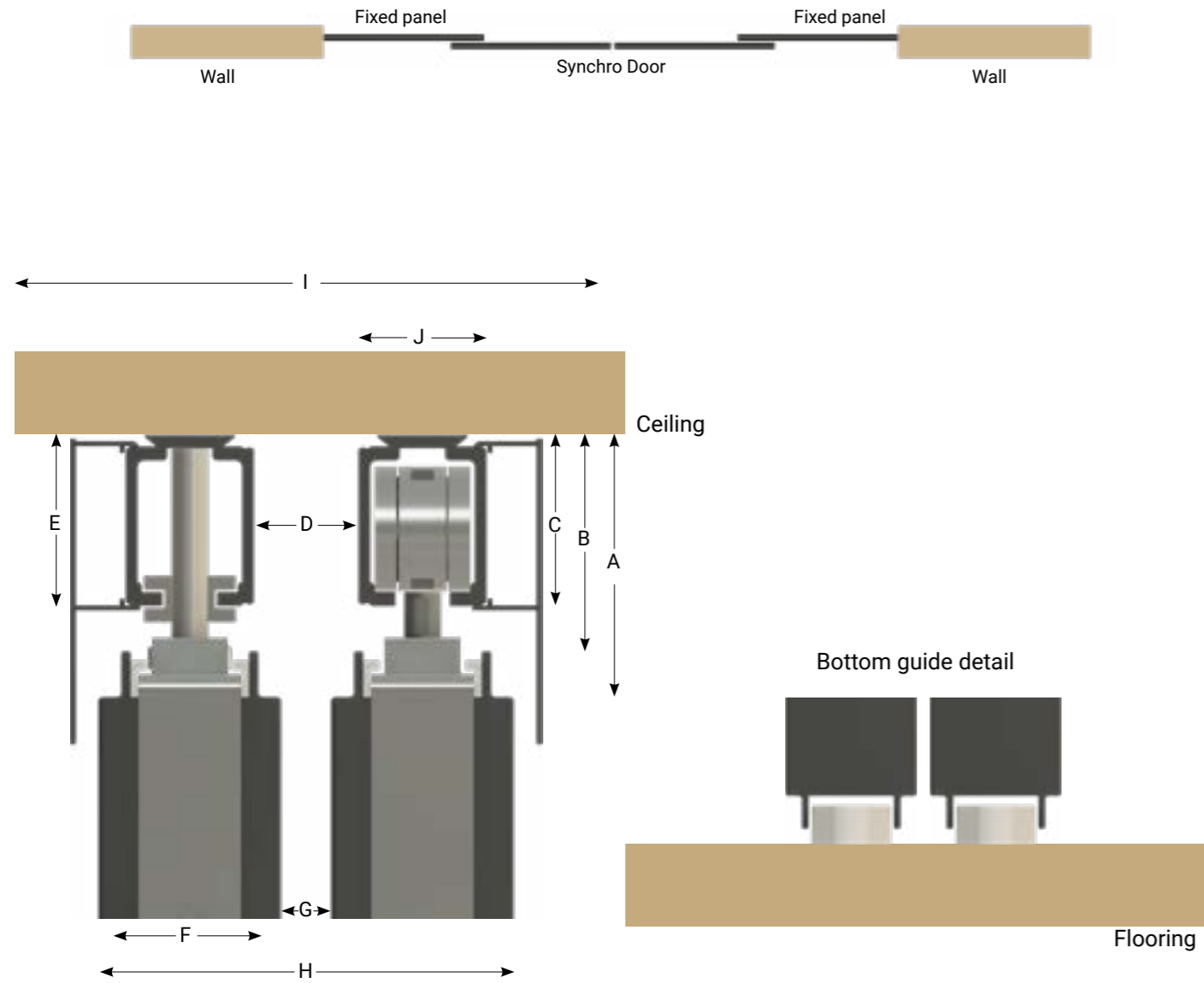
SINGLE-DOOR
PLUS FIXED PANEL: 80-150 KG PANEL



All dimensions are in mm

	80 KG ^M	120 KG ^M	150 KG
A	pelmet length	63	custom-70
B	level for conceal in absence of pelmet	50	57
C	distance between ceiling and top of door panel	43	50
D	distance between 2 tracks	20	10
E	channel height	33	39
F	door panel profile width	40	40
G	gap between for 1 door and 1 fixed panel	8	8
H	total width for 1 door and 1 fixed panel	88	88
I	total width for 2 tracks with pelmet	100	custom
J	channel width	27	39

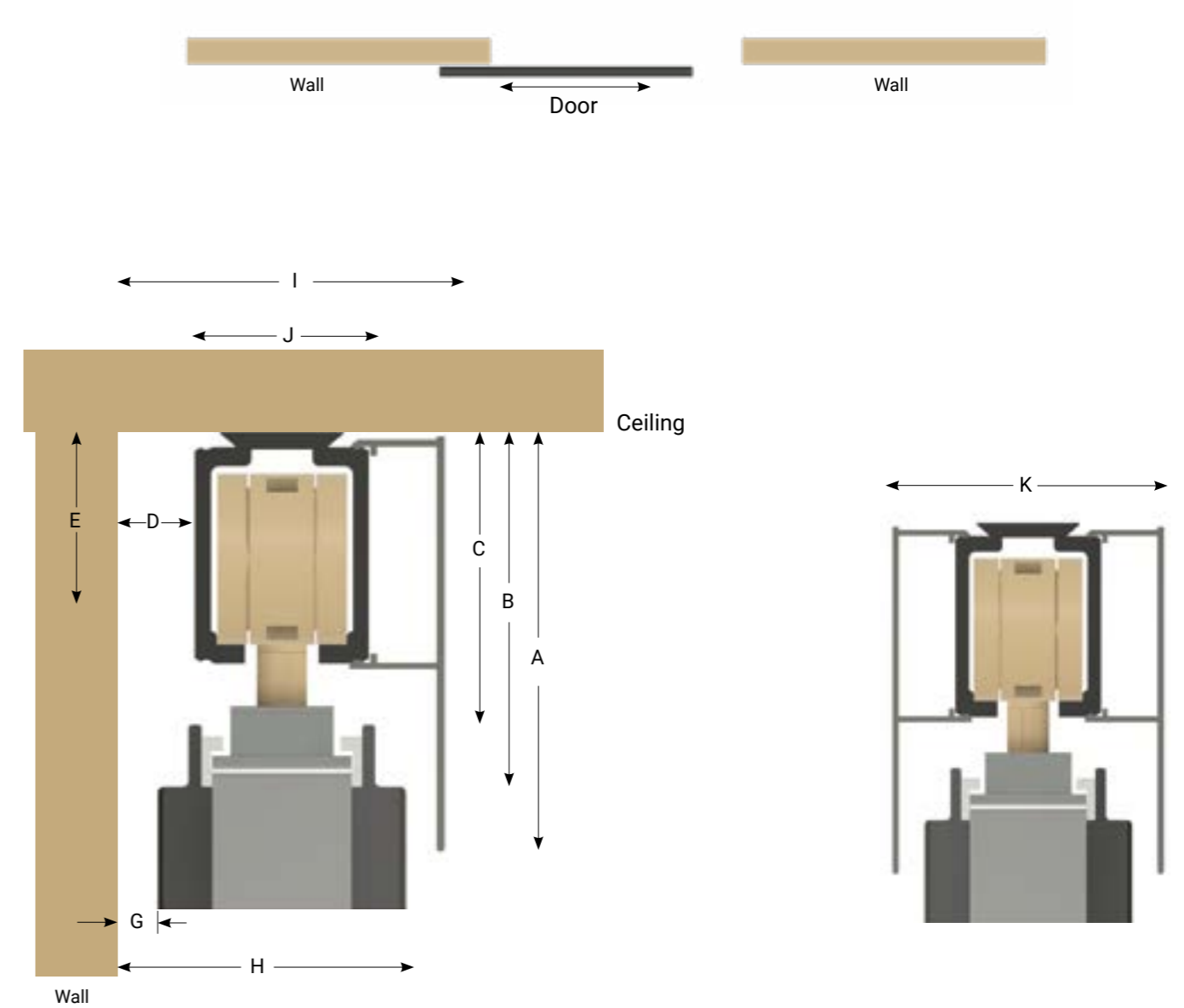
DUAL-DOOR SYNCHRO PLUS TWO FIXED PANELS: 80-150 KG PANEL



All dimensions are in mm

	80 KG ^M	120 KG ^M	150 KG
A	63	68	custom-70
B	50	55	57
C	43	48	50
D	20	20	10
E	33	38	39
F	40	40	40
G	8	8	8
H	88	88	88
I	100	100	custom
J	27	28	39

SINGLE DOOR CEILING MOUNT: 80-150 KG PANEL



All dimensions are in mm

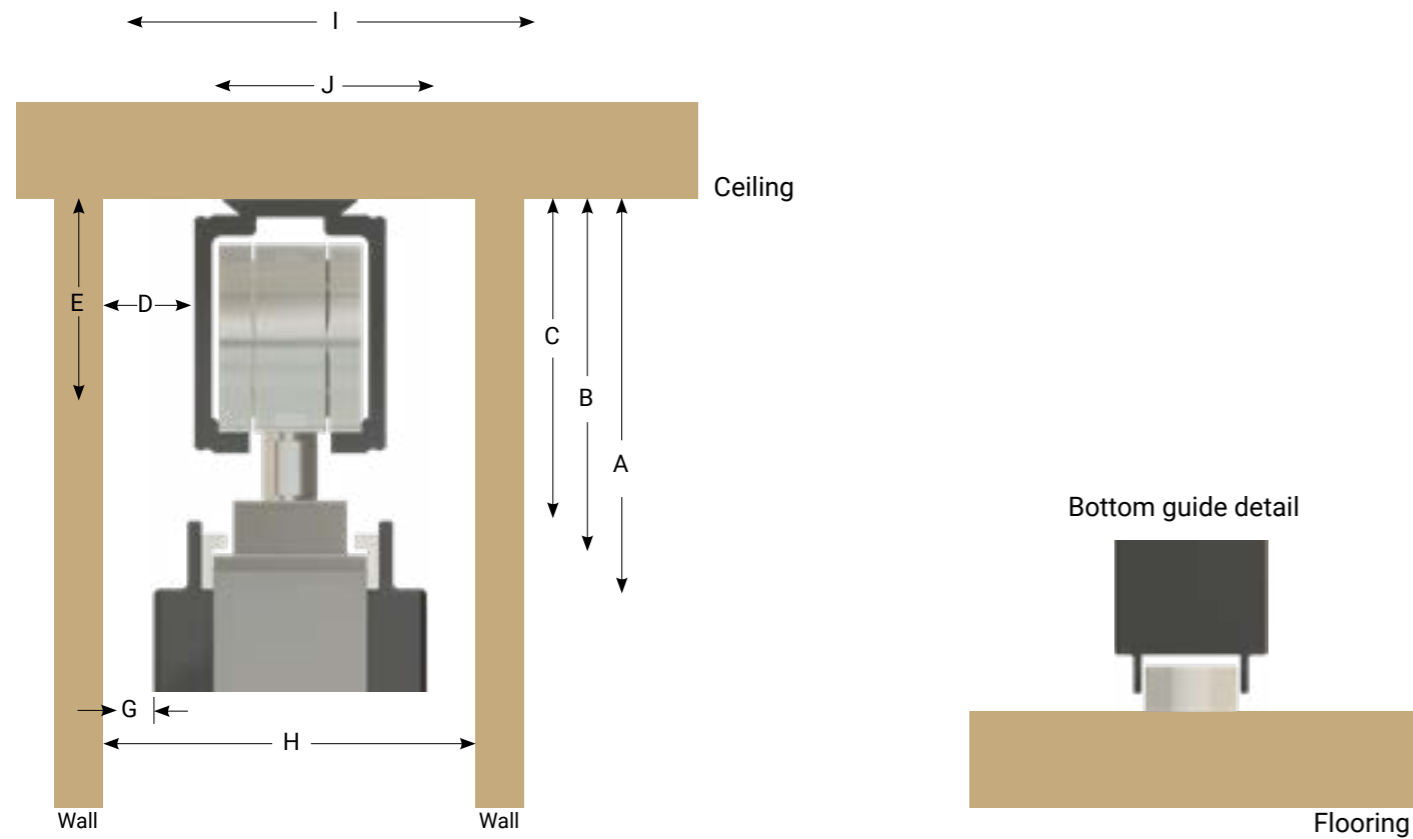
	80 KG ^M	120 KG ^M	150 KG
A	63	68	custom-70
B	50	55	57
C	43	48	50
D	12	12	5
E	33	38	39
F	40	40	40
G	5	5	5
H	45	45	45
I	51	100	custom
J	27	28	39
K	52	52	custom

SINGLE DOOR POCKET SLIDING CEILING MOUNT: 80-150 KG PANEL

Applicable for 1) Dual-Door Synchro - pocket sliding, with cantilever provision on 2 sides



Please allow for a trap door system to access in case of service or maintenance

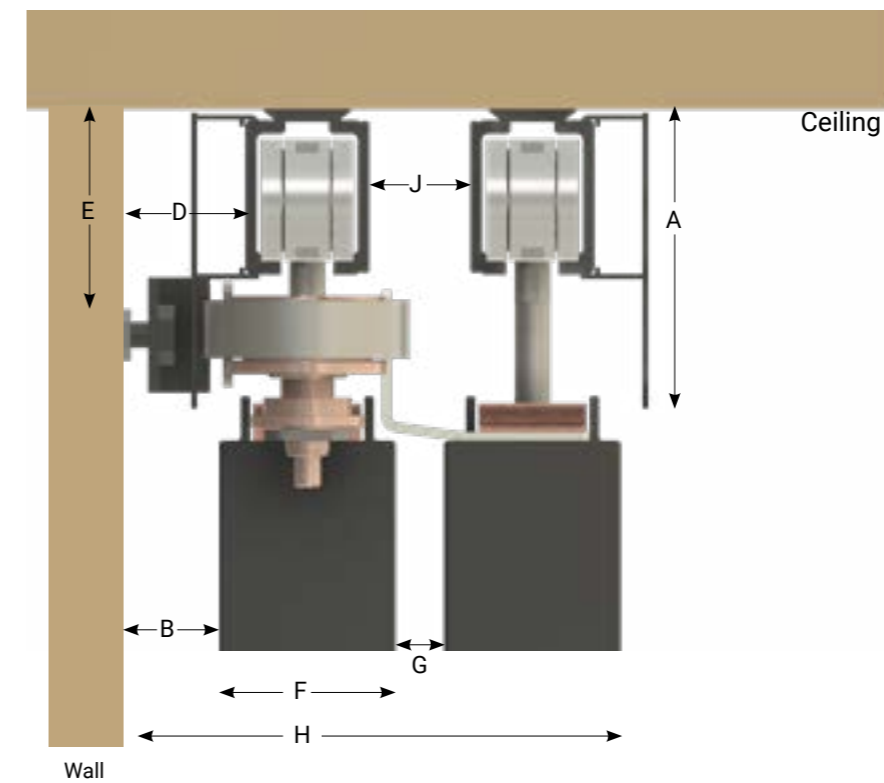


All dimensions are in mm

	80 KG ^M	120 KG ^M	150 KG
A	pelmet length	custom -63	custom-70
B	level for conceal in absence of pelmet	50	57
C	distance between ceiling and top of door panel	43	50
D	distance between track and wall	12	5
E	channel height	33	39
F	door panel profile width	40	40
G	gap between for door and wall	5	5
H	total width between walls	50	50
I	total width for 1 door with pelmet	custom	custom
J	channel width	27	39

DUAL DOOR TELESCOPIC SLIDING OVER WALL: 80-150 KG PANEL

Applicable for 1) Four Doors - Synchro and Telescopic with Doors opening on opposite side.



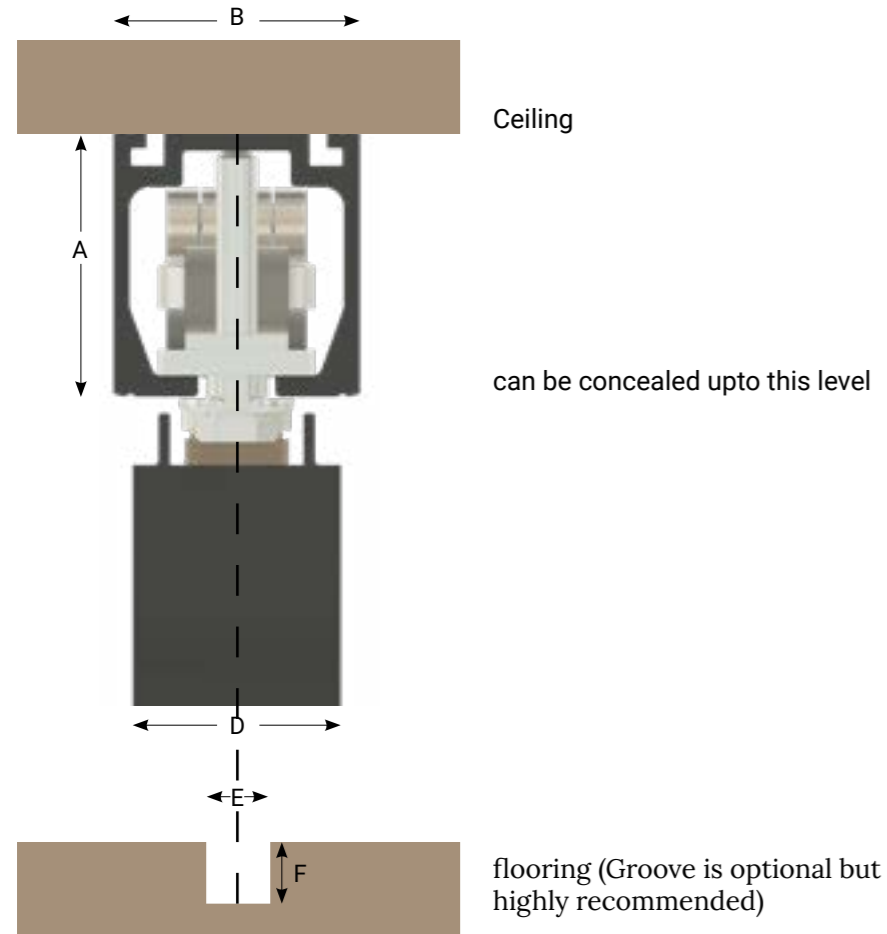
All dimensions are in mm

	80 KG ^M	120 KG ^M	150 KG
A	pelmet length	63	70
B	distance between wall and fixed panel	8	8
D	distance between 1st track and wall	15	8
E	channel height	33	39
F	door panel profile width	40	40
G	gap between 2 door panels	8	8
H	total width from wall to pelmet	50	50
J	distance between two tracks	20	10

SLIDING FOLDING

Max. panel width : 1000mm
 Max. opening dimension : 12mm

Applicable for upto 6+6 panels opening on opposite sides.

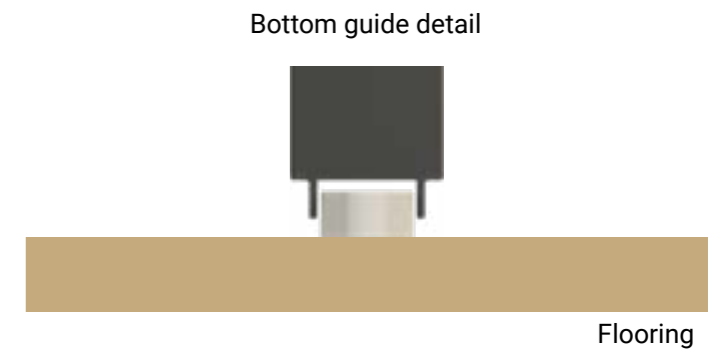
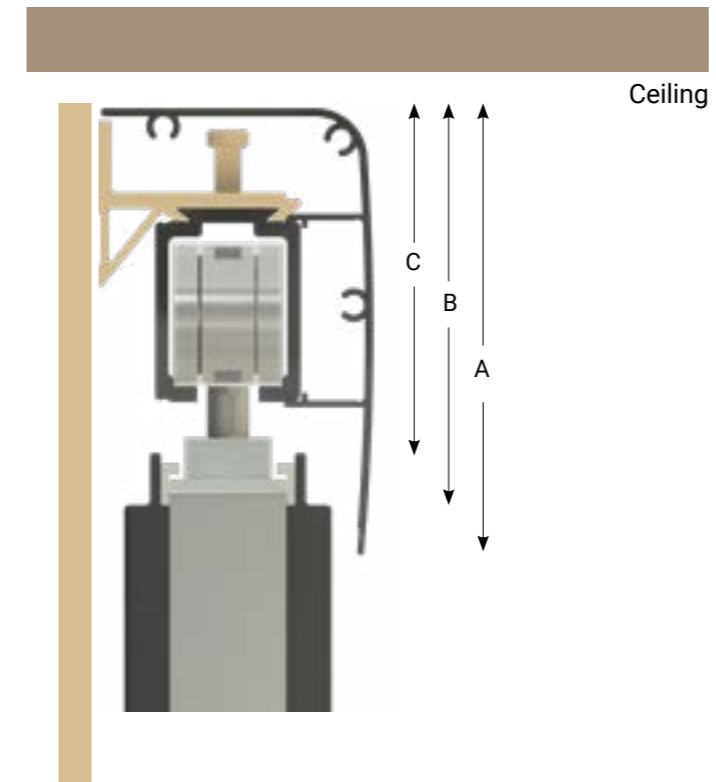
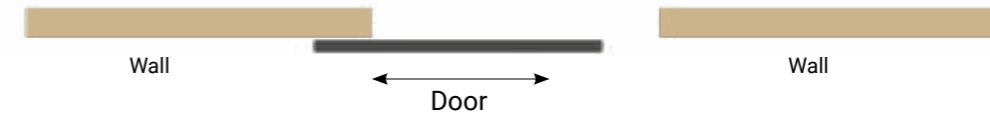


All dimensions are in mm

	75 KG	
A	channel height	52
B	channel width	48
D	profile width	40
E	groove width	30
F	groove depth	30

SLIDING FOLDING SINGLE DOOR WALL MOUNT: 80-150 KG PANEL

Applicable for 1) Dual-Door Synchro wall mount (w/o fixed panels)



All dimensions are in mm

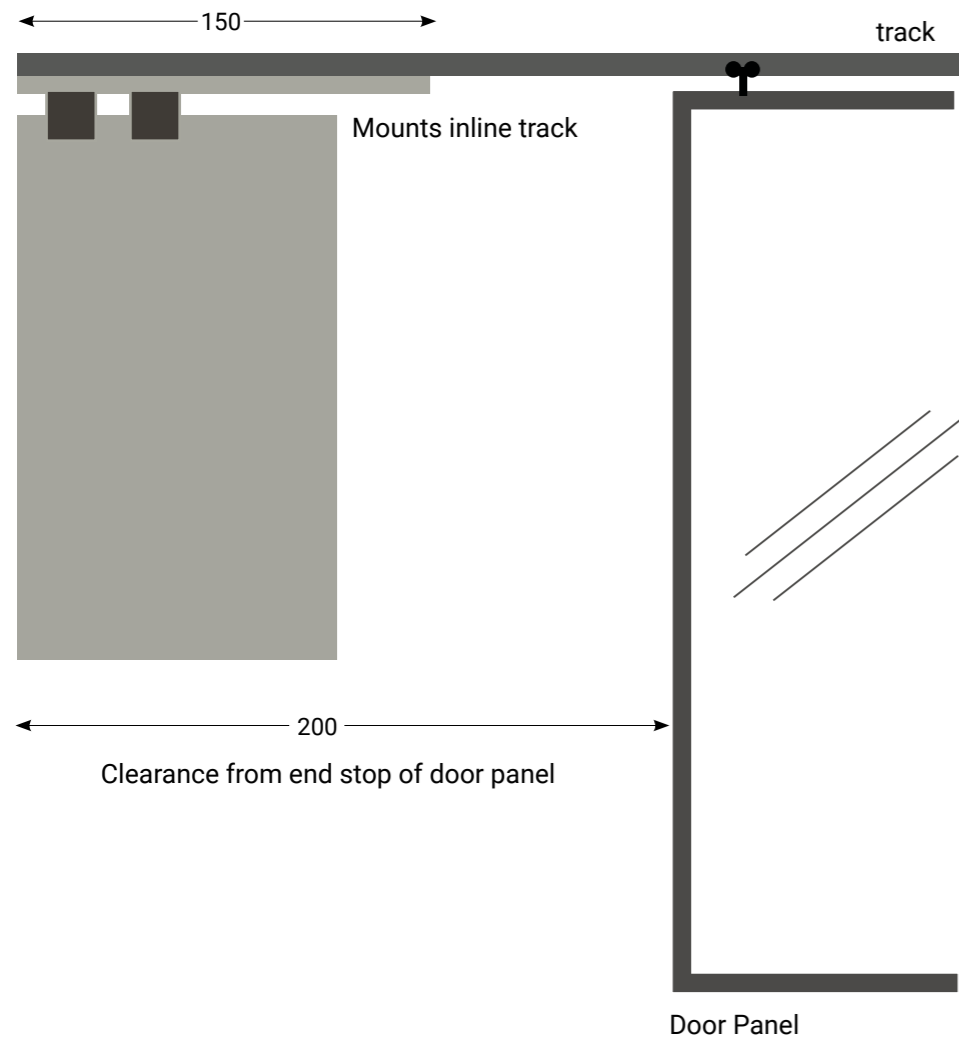
	80 KG ^M	120 KG ^M	150 KG custom-70
A	pelmet length	63	68
B	level for conceal in absence of pelmet	50	55
C	distance between top of pelmet and door panel	43	48
D	distance between track end and wall	40	40
E	channel height	33	38
F	door panel profile width	40	40
G	gap between for door and wall	5	5
H	total width from wall to pelmet	45	45
I	total width for 1 door with pelmet	51	100
J	channel width	27	28

MOTORIZED

- M** SINGLE DOOR: upto 120 KG
- DOUBLE DOOR; 2 X 80 KG

Connections and settings are located on the motorization cover. Need to foresee a trapdoor for settings and eventual maintenance.

All dimensions are in mm



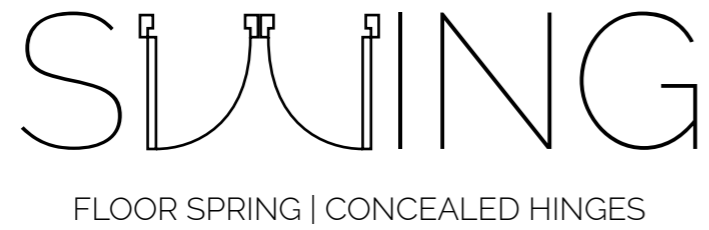
“Everything is designed. Few things are designed well.”

- Brian Reed

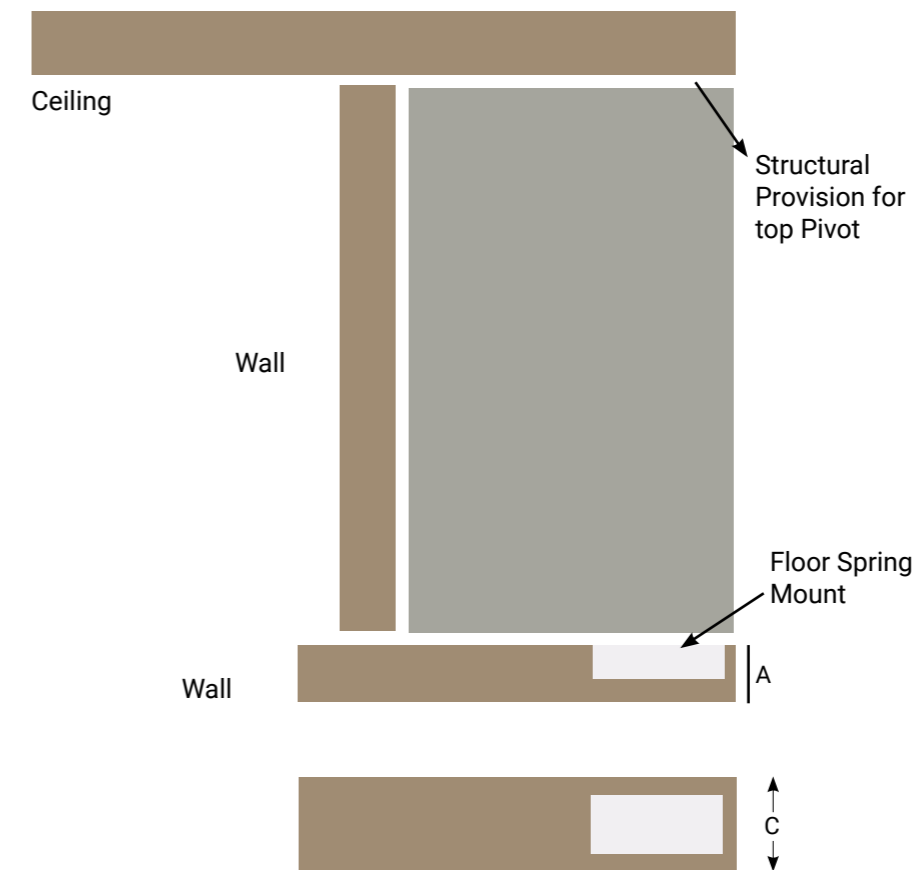
Motor Dimensions:	185mm x 150mm x 50mm
Input voltage:	230 V AC
Door Opening Speed :	35cm/s
Opening Time:	2.5s (door of 700mm)
Closing Time:	6s (door of 700mm)
Timing of closure:	4s
Motor Voltage:	24V DC +- 10%
Max. Power Consumption	100W

SWING PARTITIONS

TWIN CYLINDER
FLOOR-SPRING MOUNT



SHOJI Swing partitions can be mounted using floor spring, door closure and concealed hinges



All dimensions are in mm

65 - 200 KG

- A Depth of cutout in flooring 55
- B Length of cutout in flooring 35
- C Width of cutout in flooring 85